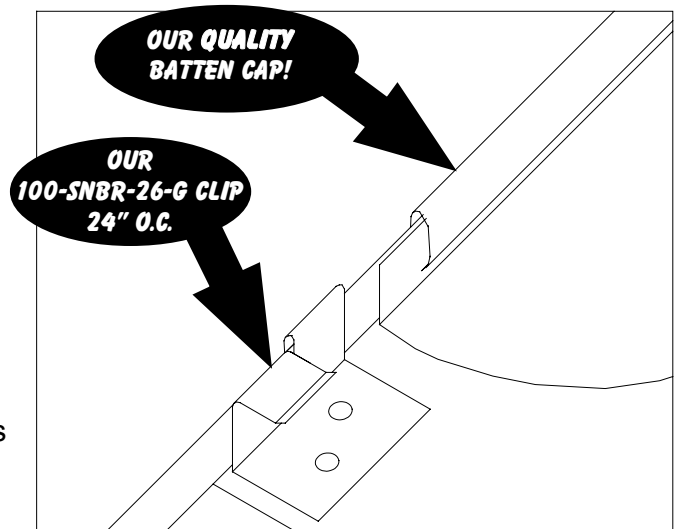


1" BATTEN CAPS!

MORE WORK! LESS DOWNTIME! = MORE PROFIT!

**EXPAND YOUR PANEL LINE
AND GET MORE
PRODUCTIVITY FROM YOUR
PAN-FORMERS
AND MANPOWER!**

Most Pan-Forming machines can roll a batten or "U" panel but most Pan-Formers can't run a Batten Cap!



LET A.M.S.I. DO IT FOR YOU!

OUR METAL OR YOURS!

Our Metal:

You get battens made to order in your choice of any of 23 standard Sheffield® colors, our quality 100-SNBR-26-G clips 24" o.c. and two ASO-1 or ASO-4 screws per clip!

\$0.30LF

Your Metal:

Ship your 2-1/32" coil stock to us and you get battens made to order, our quality 100-SNBR-26-G clips 24" o.c. and two ASO-1 or ASO-4 screws per clip!

\$0.26LF